

TYPICAL INSTALLATION NOTES - EXPANDED MESH

AMICO Architectural Metal Systems wants to be as flexible as possible to express the exact design intent of the architect and interior designer. To that end we develop many different custom methods of attachment to meet the design needs of a project. However, we do have some typical attachment bracket types that are frequently used.

These installation brackets come in a variety of sizes and shapes but all operate under the simple general principle of off-setting the mesh from the installation surface with an L-shaped design.



Typical Installation Steps

Step 1: Attach brackets to expanded mesh at pre-drilled holes with provided nuts and bolts. Do not tighten nut completely.

Step 2: Lift mesh with brackets into place and affix to installation surface.

Step 3: Fully tighten bracket nuts.

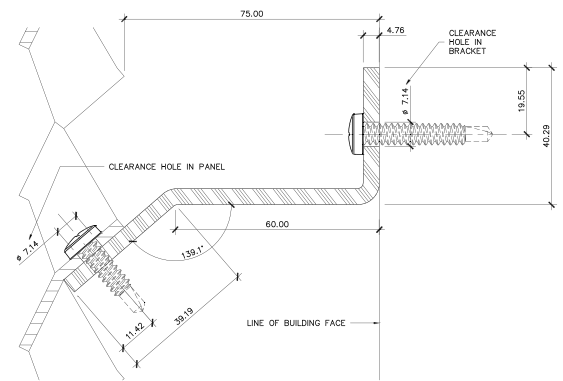
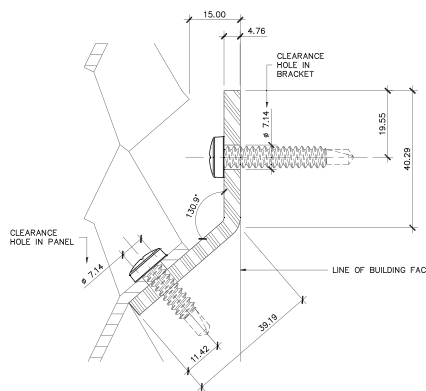
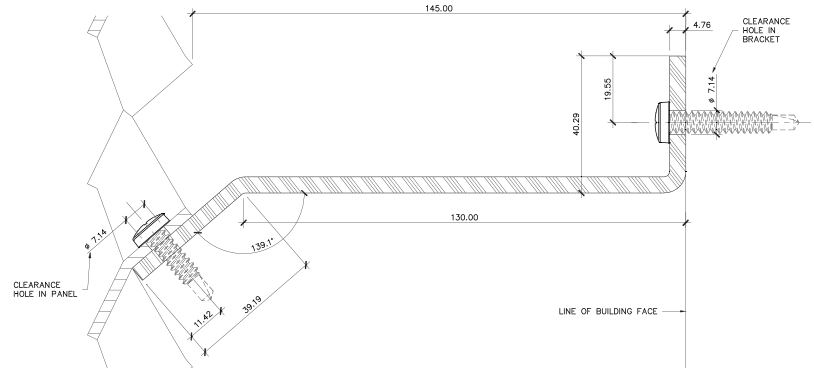
Step 4: Fine-tune panel placement using the slots in the bracket as needed ensuring that adjacent panel strands line up.

Notes:

In some scenarios, it is easier or necessary to attach the brackets to the install surface first, then attach the mesh to the brackets.

Panels are typically designed with a 1/8" gap between panels to allow for expansion.

In design, proper blocking and support behind the installation surface should be constructed.



TYPICAL INSTALLATION NOTES - EXPANDED MESH

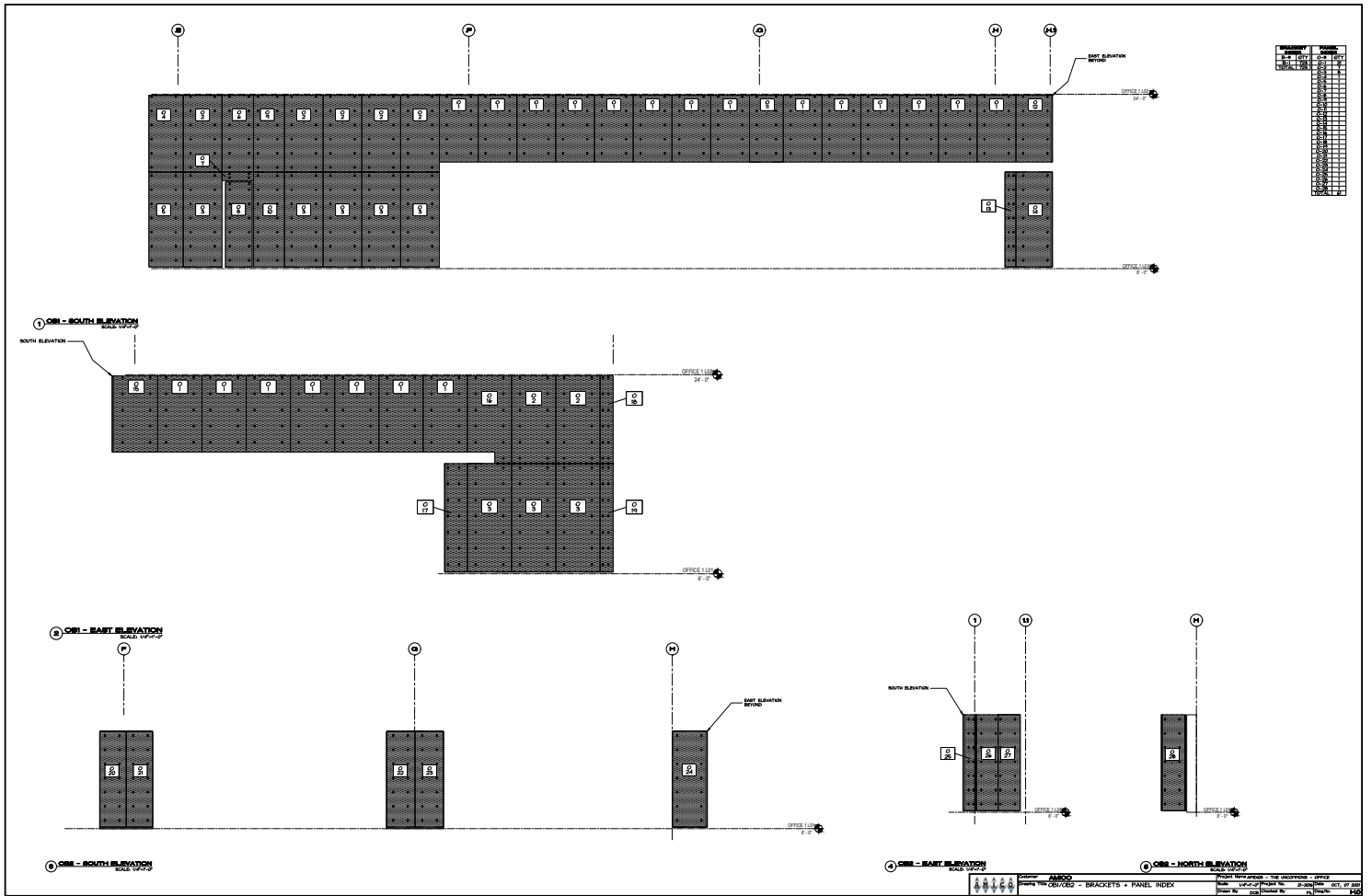


(LEFT) Shown is an in progress installation with an expanded mesh panel on the ground with brackets installed waiting to be lifted into place.

(BELOW) Shown is a staging area, with palletized expanded mesh panels waiting to be installed.

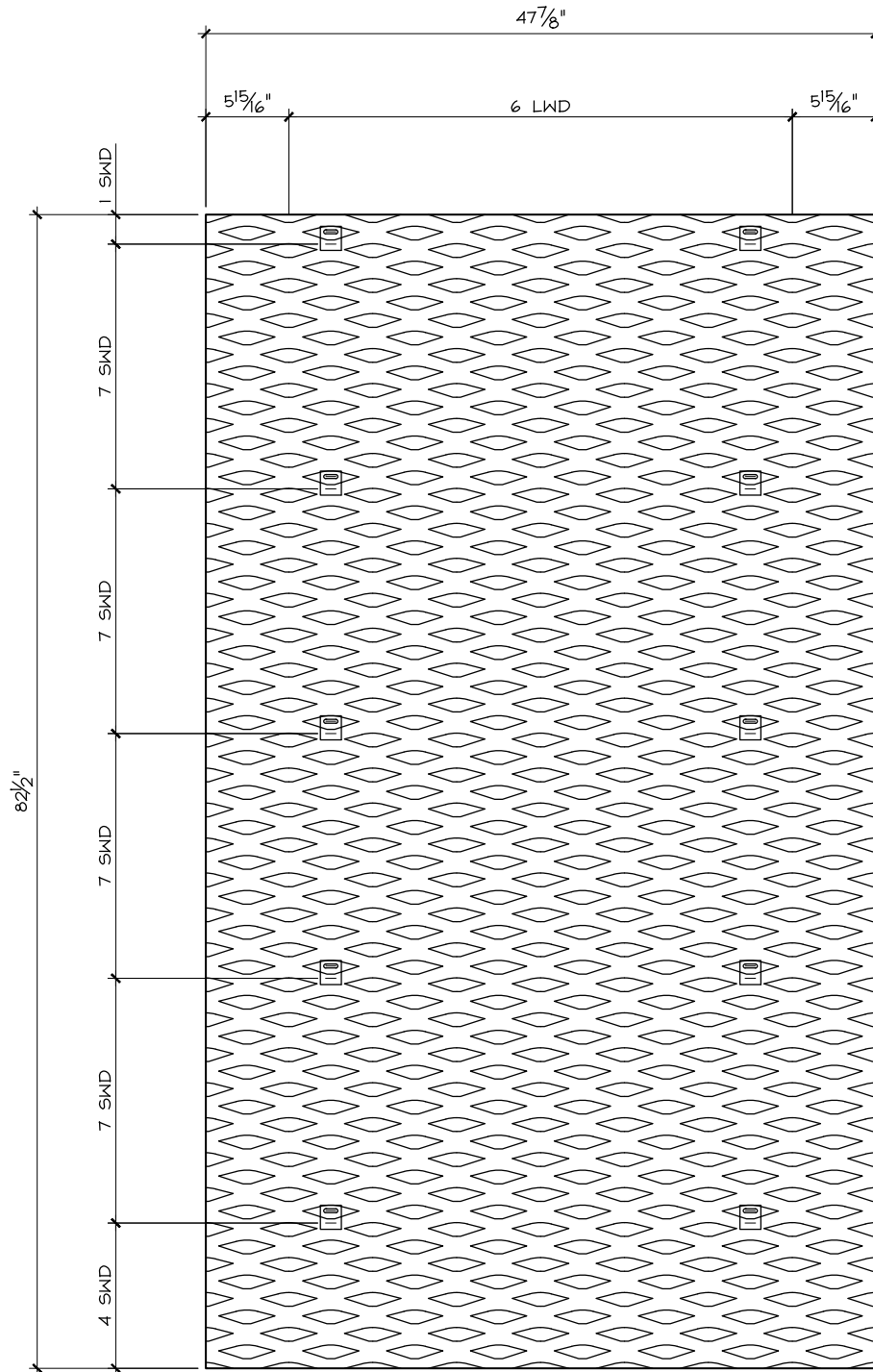


TYPICAL INSTALLATION NOTES - EXPANDED MESH



EXAMPLE OF A TYPICAL LAYOUT DRAWING WITH PANELS LABELED

TYPICAL INSTALLATION NOTES - EXPANDED MESH



EXAMPLE OF A TYPICAL INDIVIDUAL PANEL DIAGRAM

0 1
APEX03 36.75 Lbs EACH
QTY - 21 TO BE CUT FROM: LWD SMD 60 X 82.5